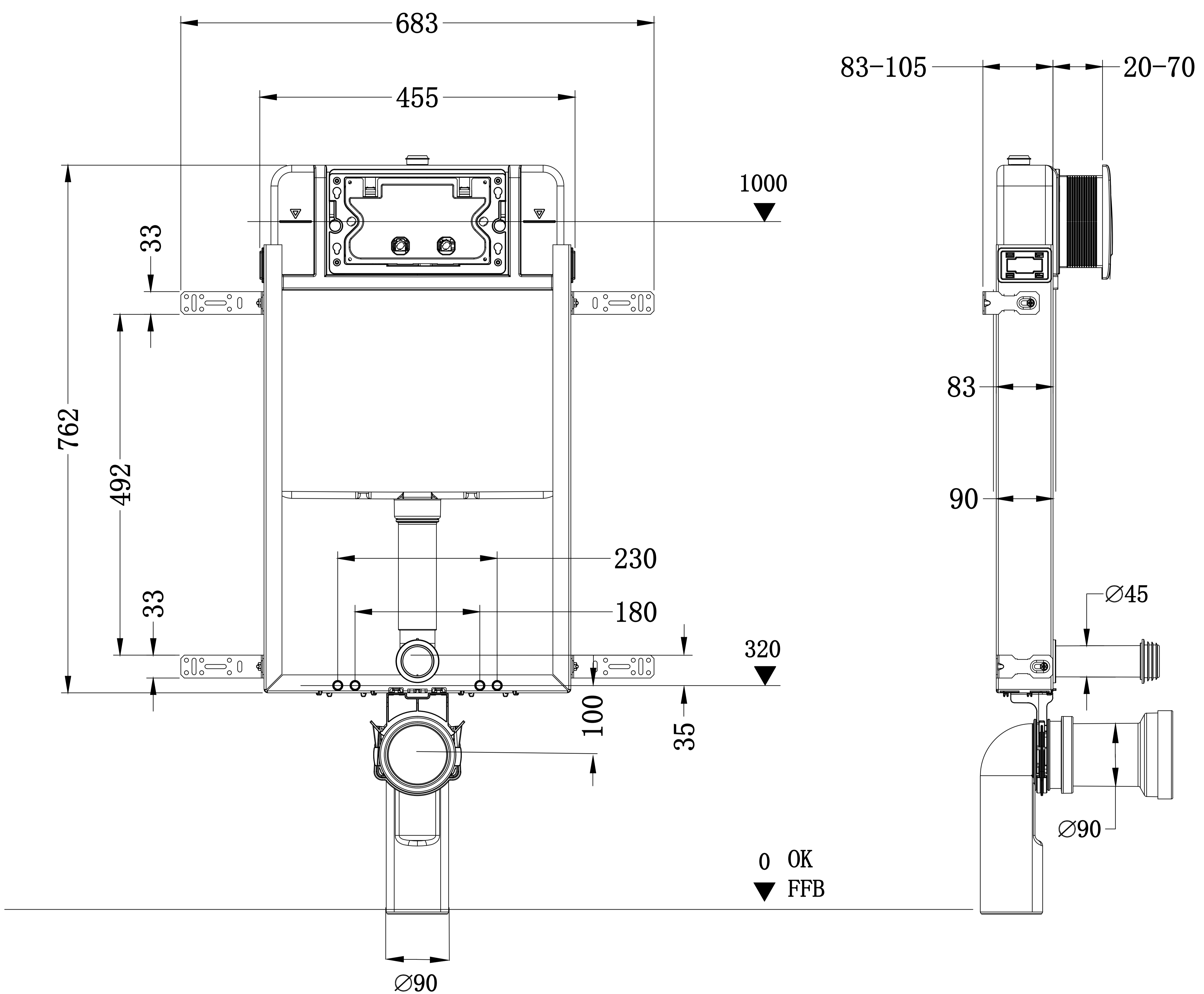




Concealed Pneumatic Cistern with Half Frame

Product Code : 1502

Technical Drawing



All dimension are in mm